

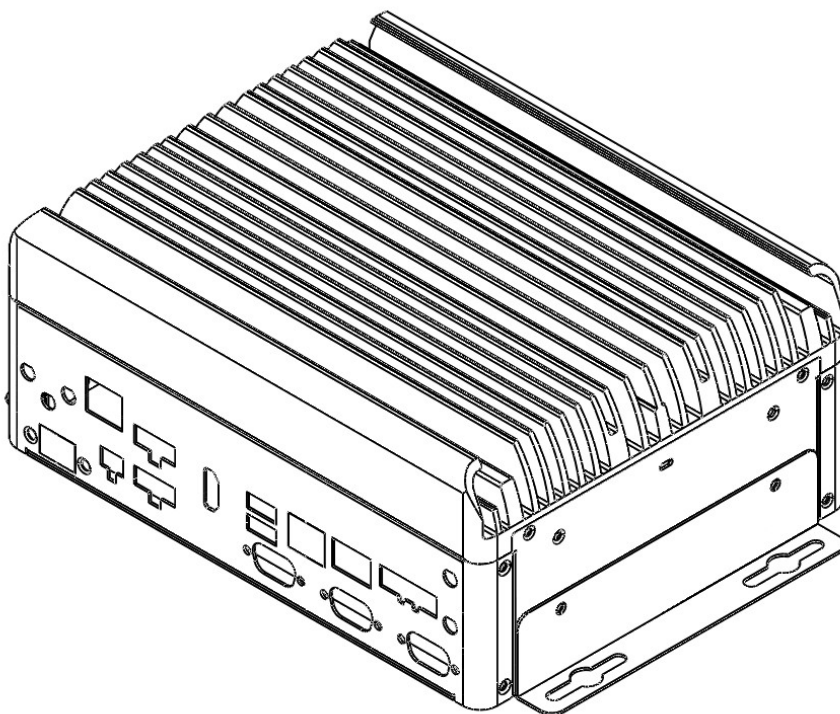
# VES-CNV01

NVIDIA Jetson® AGX Orin 32GB Fanless AI Edge Box

## Features

- Fanless AI edge embedded box PC
- Supports Allxon OOB remote device management
- DC 9V~55V wide-range input
- Supports 1 x M.2 Key-B 3042/3052 (for 4G/5G module)
- Supports 1 x M.2 Key-E 2230 (for Wi-Fi/BT module)

## Appearance



Reference Drawings

# VES-CNV01

NVIDIA Jetson® AGX Orin 32GB Fanless AI Edge Box

## Revision Table

Date	Revision	Content	By
2023/12/15	0.1	First Draft – Proposal	Jo

# VES-CNV01

NVIDIA Jetson® AGX Orin 32GB Fanless AI Edge Box

## Specification

System	
AI Accelerator	NVIDIA® Jetson AGX Orin™ 32GB
CPU	NVIDIA 8-core Arm® Cortex A78AE v8.2 64-bit CPU 2MB L2 + 4MB L3
GPU	NVIDIA 1792-core Ampere GPU with 56 Tensor Cores
Memory	Onboard 32GB 256-bit LPDDR5 204.8 GB/s
Storage	1 x SD Card Slot, 2 x SATA 512GB NVMe SSD (supported via M.2 Key-M 2280 x 1)
Indicator	3 x LED (GbE/PWR/GMSL)
Wireless LAN	Support Wi-Fi 6/BT 5.3 (via M.2 Key-E 2230 x 1)
Cellular	Support 4G/5G n1, n3, n8, n28, n40, n77 (via M.2 Key-B 3042/3052 x 1)
OS	Linux (NVIDIA JetPack 5.0 and above)
Fanless	Yes
Power	
Power Supply	DC 9-55V, with ACC function
Ignition Feature	Supported
Interface	
Ethernet	10GbE x 1, GbE x 1
PoE	8 x PoE (10/100 MbE, Single-30W/Total-120W)
USB	2 x USB 3.0 (Type-A), 2 x USB 2.0 (Type-A)
Serial Port	1 x RS485 (DB9), 2 x RS232 (DB9)
DIO	8 x GPIO
CAN Bus	1 CAN Bus
Display	1 x HDMI 2.0 a/b
Audio	1 x Audio In/Out
Antenna	5 x SMA Connector
Button	1 x PWR, 1 x Reset/Recovery Switch
Power	1 x PWR Input, 3-pin Terminal Block
Others	1 x SIM Card Slot(Support 4G/5G)

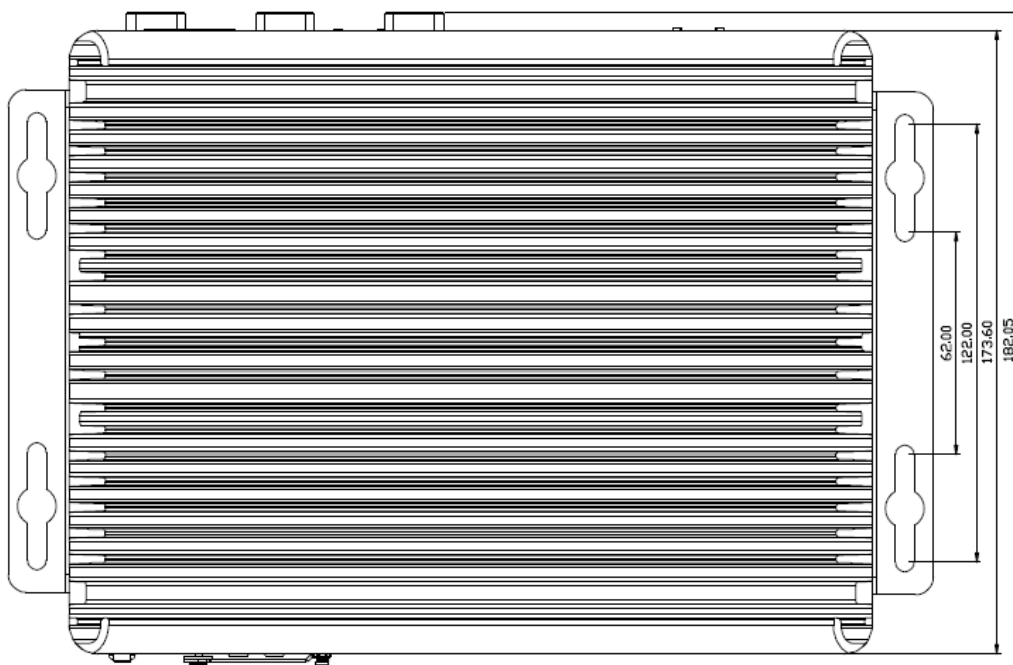
# VES-CNV01

NVIDIA Jetson® AGX Orin 32GB Fanless AI Edge Box

## Specification

General	
Dimensions (D x W x H)	242 x 177 x 94 mm
Weight	4.5kg
Operating Temp.	-20°C ~ 60°C, according to IEC60068-2 with 0.5 m/s AirFlow
Storage Temp.	-40°C ~ 85°C
Storage Humidity	10% ~ 90%, non-condensing
Certification	CE/FCC Class A, according to EN 55032/55035
Vibration	MIL-STD-810G, Method 514.7, Category 4
Shock	MIL-STD-810G, Method 516.7, Procedure I

## Dimension



# VES-CNV01

NVIDIA Jetson® AGX Orin 32GB Fanless AI Edge Box

## Deliverables

---

1	AI BOX x 1
2	Power Harness Cable x 1
3	SATA Cable x 2
4	Alarm I/O Cable x 2
5	RS485 Cable x 1
6	Mounting Bracket x 2
7	Screw Kit x 1
	- 4 screws + 8 spacers for mounting bracket
	- 8 screws for SATA drive

## Ordering Information

---

Model Name	Description	Unit
PAV-CNV01	NVIDIA Jetson® AGX Orin 32GB AI Edge Box	1